

Cybex ADJUSTABLE BENCH

16000-01

Parts Manual

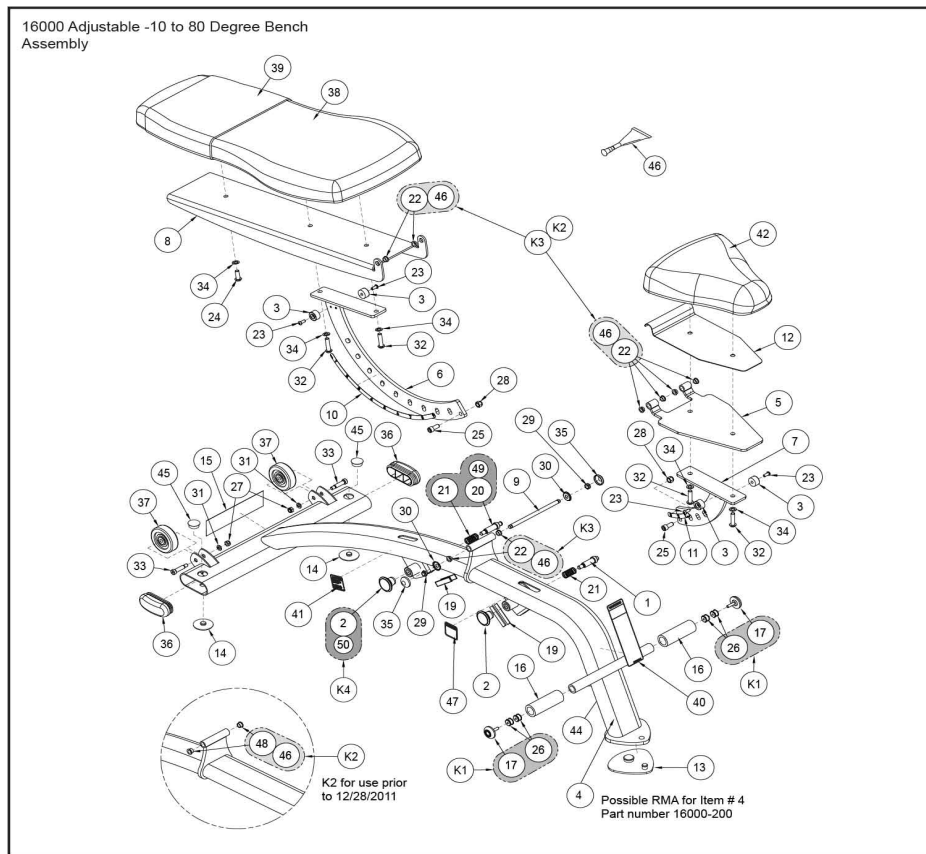
2/5/2024 17:24:06 PM



Table of Contents

16000 Assembly	3
16001 Assembly	5

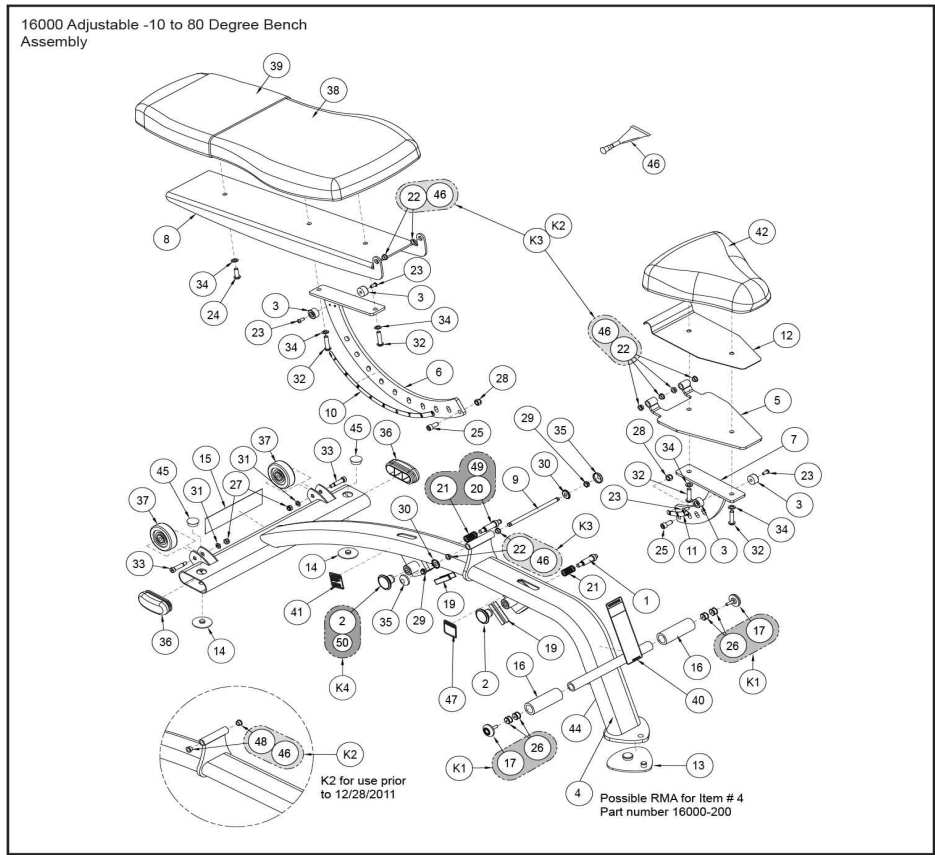
16000 Assembly



Ref #	Part Number	Qty	Description
1	08229	1	P PIN DETENT
2	11040-440	2	KNOB
K2	16000K001	1	KIT, ADJUSTABLE BENCH, BEARING
K3	16000K002	1	KIT, ADJUSTABLE BENCH, BEARING
3	12100-303	4	BUMPER
K4	1011950-0001	1	KIT: DETENT ASSY, ADJ BENCH
5	16000-201	1	W Cushion Plate Custom
6	16000-202	1	P Detent Plate
7	16000-203	1	P Detent Plate
8	16000-300	1	Plate Cushion
9	16000-318	1	Shaft Pivot
10	16000-328	1	Decal Adjustment
11	16000-329	1	Decal Adjustment
12	16000-332	1	Plate Cover Custom
13	16010-311	1	Pad Foot
14	16000-335	2	FOOT PAD
15	3900-445	1	DECAL CYBEX 1.00 HOR BLACK
15	3900-446	1	DECAL CYBEX 1.00 HOR SILVER
16	4605-509	2	GRAB GRIP 4.00
17,K1	4605K549	3	KIT HANDLE PLUG SMALL
18	51198	1	WARRANTY BOOKLET
19	5437-305	2	BUMPER

Ref #	Part Number	Qty	Description
20	1012499-0001	1	PIN: DETENT
21	BS070201	2	COM SPRING .56 ID X .66 OD X 1.50 LG
22	FB050228	8	brg flg. .38 x .50 x .25 LG
23	HC620414	4	BHSCS .250-20 X .625
24	HC700417	1	BHSCS .375-16 X 1.00
25	HC702816	2	SHCS .375-16 X .875
26	HF449063	4	INSERT 3-4X1-4-20 CONNECTOR
27	HN664900	2	LOCKNUT .312-18 NYLON INSERT
28	HN704901	2	LOCKNUT .375-16 NYLON
29	HN704902	2	LOCKNUT NYLON .375-16
30	HS010000	2	WASHER SCREW CAP BLACK 3-8
31	HS328300	2	LOCKWASHER SPLIT .312
32	JC700422	4	BHSCS .375-16 X 1.50
33	JD343320	2	S BOLT .375 X 1.25 .312-18
34	JS347400	5	LOCKWASHER INT TOOTH .375
35	PP080005	2	SCREW, .375,CAP,BLK
36	PP130004	2	Insert Domed Plastic
37	WW130000	2	WHEEL 3IN DIA
38	██████████	1	COVERED CUSHION SA BACK 32 MOLDED Custom
39	██████████	1	WEAR COVER SA 32in MOLDED Custom
40	DE000001	1	Decal Warning Custom
41	8500-025	2	DECAL CAUTION Custom
42	██████████	1	CUSHION SA BIKE SEAT 12IN MOLDED Custom
43	11040-790	1	DECAL, MADE IN THE USA
44	CM000246	1	DECAL, CAPACITY
45	PN660200	2	INSERT PLASTIC 1.00 DIA-11 GA
46	YA000222	1	ADH BNDG CYANOACRYLATE
47	4520-362	1	DECAL SEAT CAUTION Custom
48	FB130217	2	BRG FLG .38 X .507 X .750 LG
49	YA000201	1	ADH THRD LKR REM .02 OZ 242

16001 Assembly



Ref #	Part Number	Qty	Description
50	YG000002	1	NLA: Please use Lithium Grease

